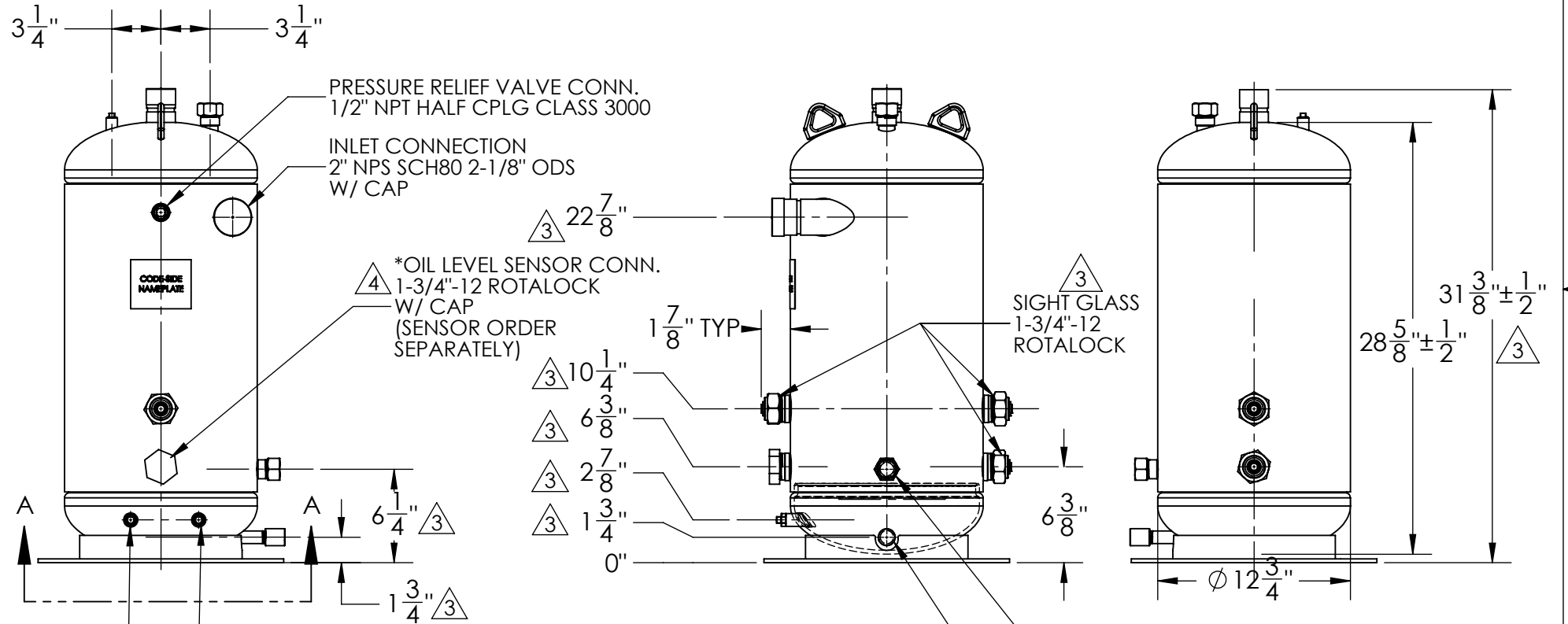
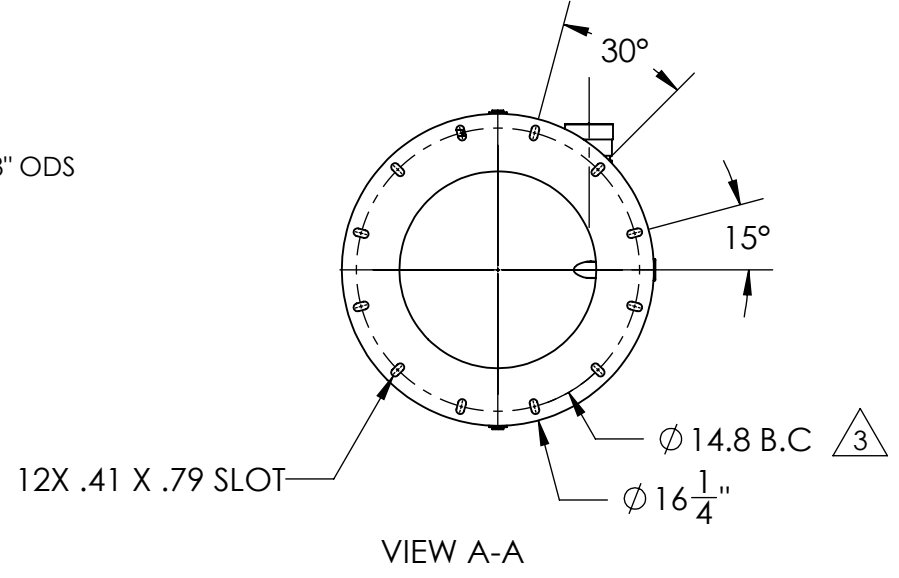
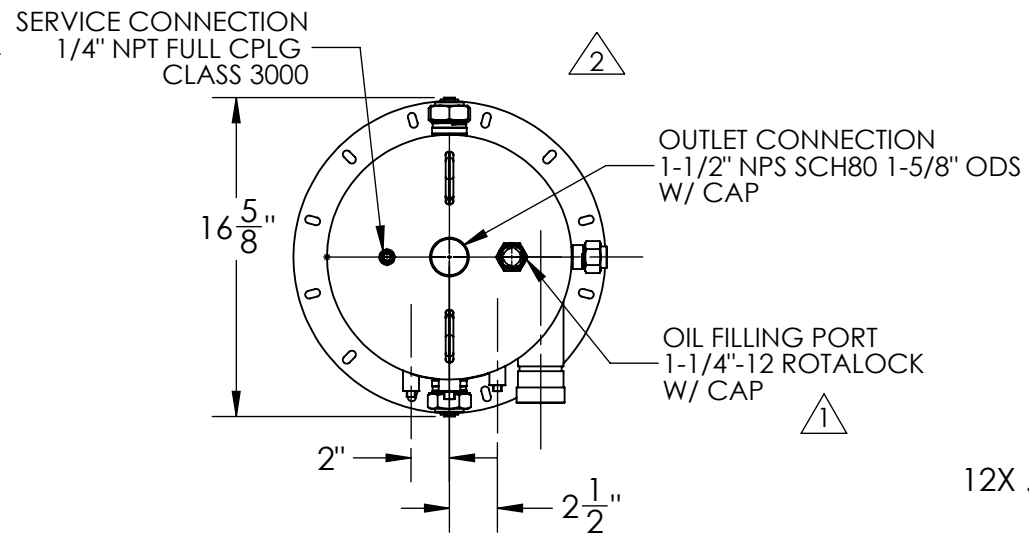


Approval: \_\_\_\_\_  
Customer Signature Required Upon Order

Customer Company Name: \_\_\_\_\_

- Shell Side:
  - Max. Allowable Work Pressure: 406psi @ 250F
  - Min. Design Metal Temp.: -20F @ 406psi
  - Capacity: 1.80 ft3
  - Corrosion Allowance: 0
  - Vessel Stamp: UM
- Manufacture vessel in accordance with ASME BPVC.VIII.1 (Latest Version)
- Pressure boundary parts are carbon steel.
- All connections will be shipped with welded caps and plugs.
- Vessel will be painted black.
- Customer must remove all welded caps prior to pressurizing system.
- Vessel not constructed or stamped for "lethal" service.
- Vessel has hot formed or stress relieved heads in compliance with ANSI/IIAR 2. (Not applicable if primary fluid is oil).
- For custom vessels, (customer provided internal design elements), BITZER U.S., Inc is not responsible for the performance with respect to heat exchange, droplet separation, or other function outside the scope of meeting the ASME BPVC.VIII.1.



OIL OUTLET CONN.  
1-1/4"-12 ROTALOCK  
W/ CAP

OIL DRAINING PORT  
1/2" NPT SCH80 NIPPLE W/ CAP  
(OIL DRAIN VALVE AND  
1/2" NPT CPLG INCLUDED)

(*) ACCESSORY - ORDER SEPARATELY	ACCESSORY P/N
OIL LEVEL SWITCH - 24V, AC/DC OPTION	347950-04
OIL LEVEL SWITCH - 115V OPTION	347950-02
OIL LEVEL SWITCH - 230V OPTION	347950-01
OIL HEATER - 120V, 140W OPTION	892-1140-01
OIL HEATER - 230V, 140W OPTION	892-1140-02
ROTALOCK T-ADAPTER	365433-56
<b>SPARE PARTS</b>	
HEATER WELL - 70W	345906-05
HEATER WELL - 140W	345905-22
O-RING - HEATER WELL (70W & 140W)	372016-01
SET SCREW (140W HEATER WELL ONLY)	380354-08
OIL THERMOSTAT	860-5021-01
OIL DRAIN VALVE	540106050
OIL OUTLET VALVE	361321-06
OIL OUTLET VALVE - O-Ring	372200-04
SIGHT GLASS NUT	182102015
O-RING - SIGHT GLASS ROTALOCK SEAL	372200-04

REVISION HISTORY				
REV	DESCRIPTION	DATE	DRWBY	APPVBY
05	UPDATED SPARE PARTS TABLE	06/19/2025	EGL	EGL
04	CHANGED LEVEL SENSOR TO AWA PART	06/04/2025	EI	EGL
03	ADD STGLS., CONN. LOC. CHANGE 3/8" B/C OF	11/04/2019	AC	AC
02	MOVED BACK OIL MAKE UP TRLK TO HEAD, SKIRT VIEW 2 MOD	06/06/2017	DE	DE
01	REDIMENSION-MOVED OIL MAKE UP RTLCK TO HEAD	06/01/2017	DE	DE
00	INITIAL RELEASE	09/16/2014	QKT	QKT

UNLESS OTHERWISE SPECIFIED  
DIM ARE IN INCHES  
ANGLE TOL ± 2°30'  
FRACTION TOL ± 1/4  
.X ± .125 .XX ± .063 .XXX ± .005  
ASME Y14.5M-1994

THIRD ANGLE PROJECTION

PROPRIETARY AND CONFIDENTIAL  
THE INFORMATION CONTAINED  
IN THIS DRAWING IS THE SOLE  
PROPERTY OF BITZER. ANY  
REPRODUCTION IN PART OR AS  
WHOLE WITHOUT THE WRITTEN  
PERMISSION OF BITZER IS  
PROHIBITED.

BITZER U.S. Inc.  
4080 ENTERPRISE WAY  
FLOWERY BRANCH, GA 30542

**BITZER**

TITLE  
**SUBMITTAL DRAWING**

SIZE B JOB# Pressure Vessels DWG NO OA.1954US (771-0003-01) REV 05

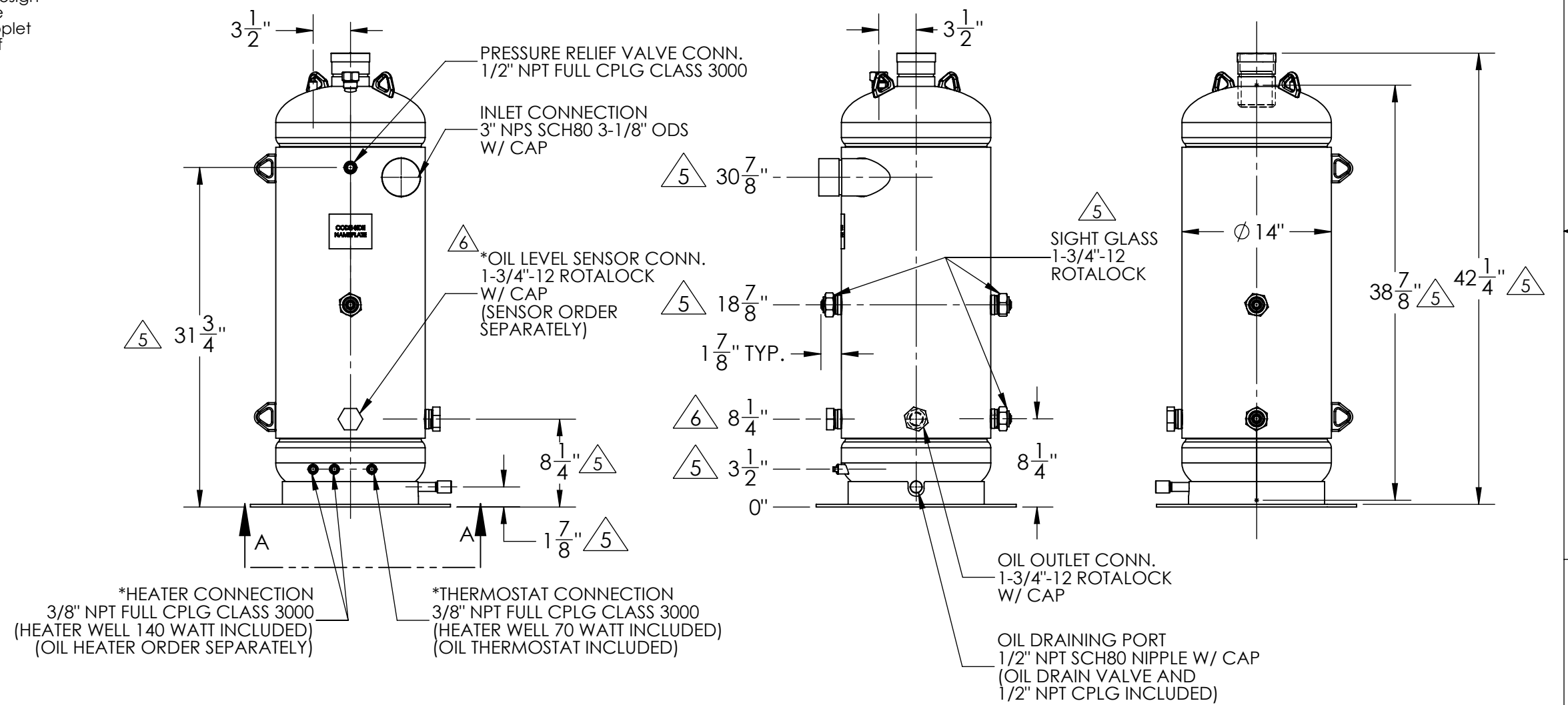
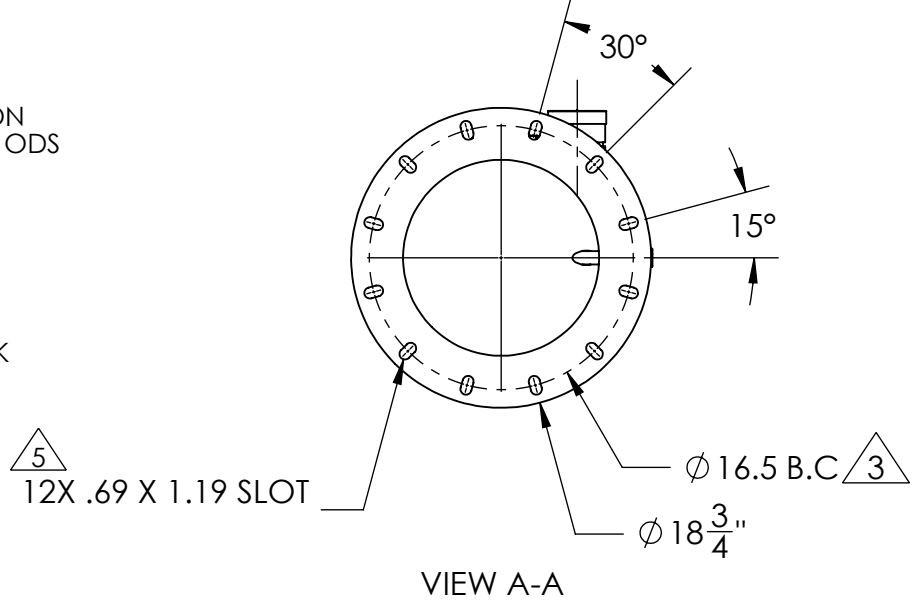
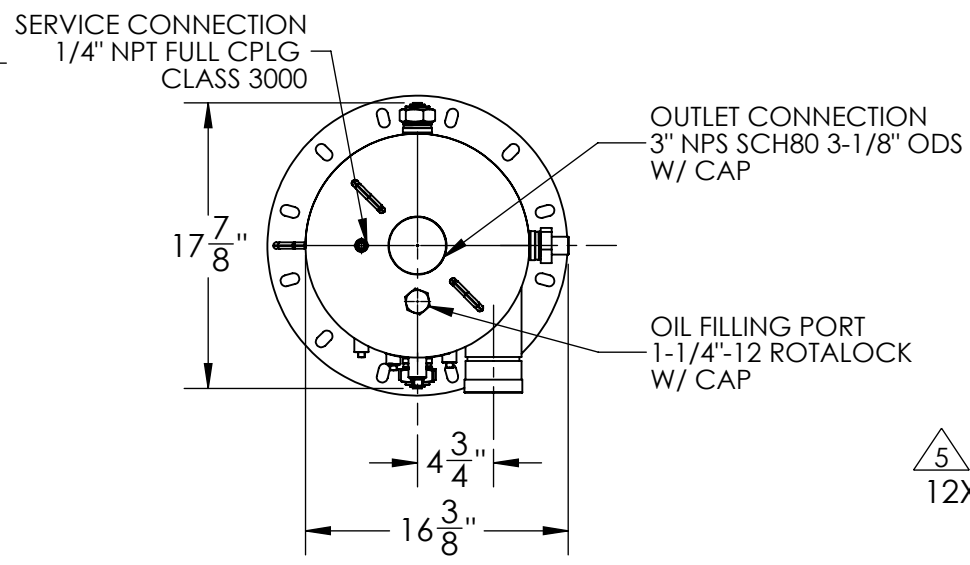
SCALE 1:10 WEIGHT 122.80LBS SHEET 1 OF 1

Approval: \_\_\_\_\_  
Customer Signature Required Upon Order

Customer Company Name: \_\_\_\_\_

1. Shell Side:
- Max. Allowable Work Pressure: 450psi @ 250F
  - Min. Design Metal Temp.: -20F @ 450psi
  - Capacity: 2.87 ft<sup>3</sup>
  - Corrosion Allowance: 0
  - Vessel Stamp: U

2. Manufacture vessel in accordance with ASME BPVC.VIII.1 (Latest Version)
3. Pressure boundary parts are carbon steel.
4. All connections will be shipped with welded caps and plugs.
5. Vessel will be painted black.
6. Customer must remove all welded caps prior to pressurizing system.
7. Vessel not constructed or stamped for "lethal" service.
8. Vessel has hot formed or stress relieved heads in compliance with ANSI/IIAR 2. (Not applicable if primary fluid is oil).
9. For custom vessels, (customer provided internal design elements), BITZER U.S., Inc is not responsible for the performance with respect to heat exchange, droplet separation, or other function outside the scope of meeting the ASME BPVC.VIII.1.



(*) ACCESSORY - ORDER SEPARATELY	ACCESSORY P/N
OIL LEVEL SWITCH - 24V, AC/DC OPTION	347950-04
OIL LEVEL SWITCH - 115V OPTION	347950-02
OIL LEVEL SWITCH - 230V OPTION	347950-01
OIL HEATER - 120V, 140W OPTION	892-1140-01
OIL HEATER - 230V, 140W OPTION	892-1140-02
ROTALOCK T-ADAPTER	365433-56
SPARE PARTS	SPARE PARTS P/N
HEATER WELL - 70W	345906-05
HEATER WELL - 140W	345905-22
O-RING - HEATER WELL (70W & 140W)	372016-01
SET SCREW (140W HEATER WELL ONLY)	380354-08
OIL THERMOSTAT	860-5021-01
OIL DRAIN VALVE	540106050
OIL OUTLET VALVE	361321-08
OIL OUTLET VALVE O-RING	372200-04
SIGHT GLASS	182102200
SIGHT GLASS NUT	182102015
O-RING - SIGHT GLASS ROTALOCK SEAL	372200-04

REVISION HISTORY				
REV	DESCRIPTION	DATE	DRWBY	APPVBY
07	MOVE ROTALOCK T-ADAPTOR TO ACCESSORY AND CHANGE OPT TO 1	08/26/2025	AHB	AHB
06	REPLACED HENRY TECH SENSOR TO AWA	07/24/2025	IVS	IVS
05	UPDATE SIGHTGLASS. MOVE NZZLE LOC.	11/25/2019	AC	AC
04	REMOVE NAMEPLATE BRACKET	08/21/2019	AC	AC
03	THE SKIRT UPDATED	10/16/2018	FB	FB
02	UPDATE NAMEPLATE	10/04/2018	DE	DE

UNLESS OTHERWISE SPECIFIED  
DIM ARE IN INCHES  
ANGLE TOL ± 2° 30'  
FRACTION TOL ± 1/4  
.X ± .125 .XX ± .063 .XXX ± .005  
ASME Y14.5M-1994

THIRD ANGLE PROJECTION

PROPRIETARY AND CONFIDENTIAL  
THE INFORMATION CONTAINED  
IN THIS DRAWING IS THE SOLE  
PROPERTY OF BITZER. ANY  
REPRODUCTION IN PART OR AS  
WHOLE WITHOUT THE WRITTEN  
PERMISSION OF BITZER IS  
PROHIBITED.

BITZER U.S. Inc.  
4080 ENTERPRISE WAY  
FLOWERY BRANCH, GA 30542

TITLE  
**SUBMITTAL DRAWING**

SIZE B JOB# Pressure Vessels DWG NO OA4188US (771-0004-01) REV 07

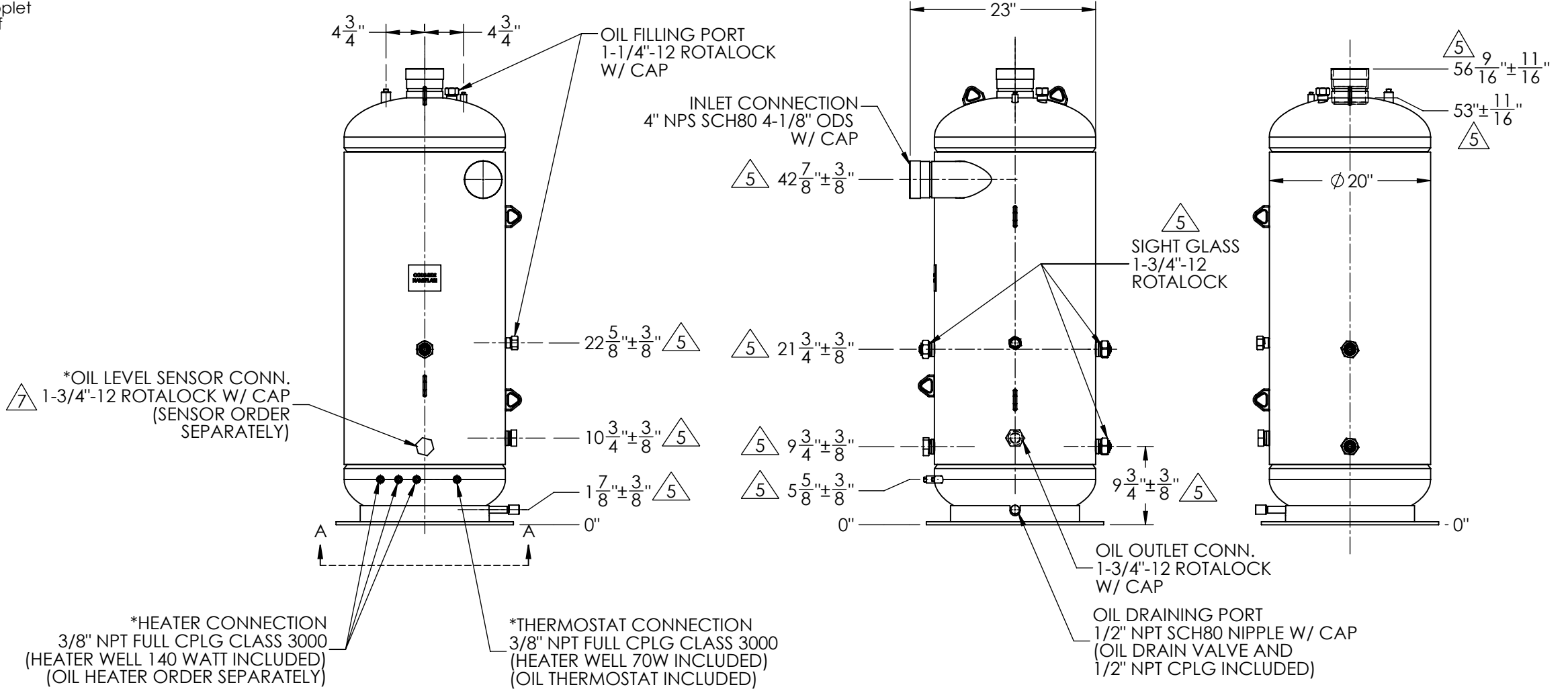
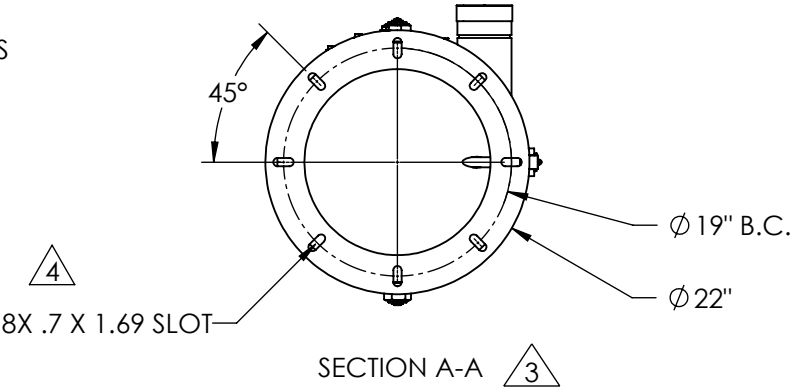
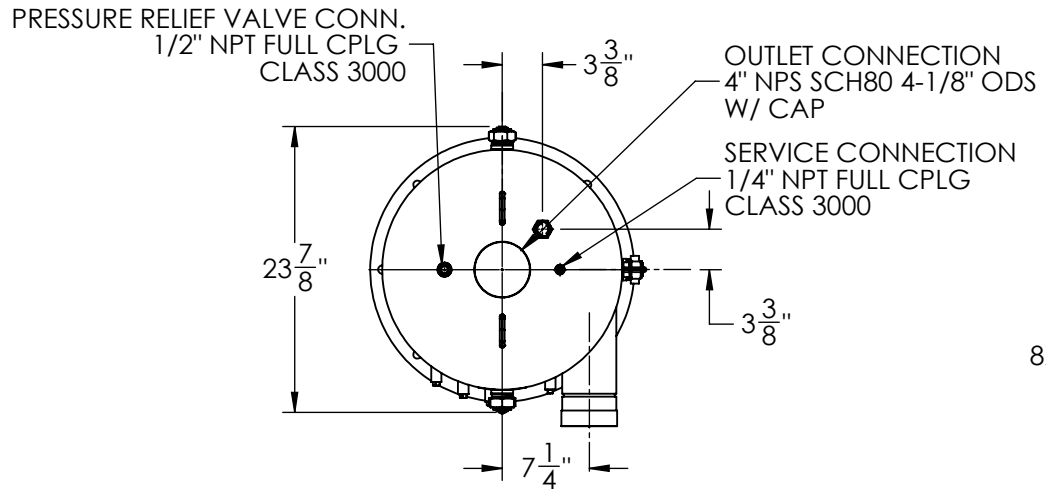
SCALE 1:12 WEIGHT 250.75LBS SHEET 1 OF 1

Approval: \_\_\_\_\_  
Customer Signature Required Upon Order

Customer Company Name: \_\_\_\_\_

1. Shell Side:
- Max. Allowable Work Pressure: 450psi @ 250F
  - Min. Design Metal Temp.: -20F @ 450psi
  - Capacity: 8.19 ft3
  - Corrosion Allowance: 0
  - Vessel Stamp: U

2. Manufacture vessel in accordance with ASME BPVC.VIII.1 (Latest Version)
3. Pressure boundary parts are carbon steel.
4. All connections will be shipped with welded caps and plugs.
5. Vessel will be painted black.
6. Customer must remove all welded caps prior to pressurizing system.
7. Vessel not constructed or stamped for "lethal" service.
8. Vessel has hot formed or stress relieved heads in compliance with ANSI/IIAR 2. (Not applicable if primary fluid is oil).
9. For custom vessels, (customer provided internal design elements), BITZER U.S., Inc is not responsible for the performance with respect to heat exchange, droplet separation, or other function outside the scope of meeting the ASME BPVC.VIII.1.



(*) ACCESSORY - ORDER SEPARATELY		ACCESSORY P/N
OIL LEVEL SWITCH - 24V, AC/DC OPTION		347950-04
OIL LEVEL SWITCH - 115V OPTION		347950-02
OIL LEVEL SWITCH - 230V OPTION		347950-01
OIL HEATER - 120V, 140W OPTION		892-1140-01
OIL HEATER - 230V, 140W OPTION		892-1140-02
ROTALOCK T-ADAPTER		365433-56
SPARE PARTS		SPARE PARTS P/N
HEATER WELL - 70W		345906-05
HEATER WELL - 140W		345905-22
O-RING - HEATER WELL (70W & 140W)		372016-01
SET SCREW (140W HEATER WELL ONLY)		380354-08
OIL THERMOSTAT		860-5021-01
OIL DRAIN VALVE		540106050
OIL OUTLET VALVE		361321-08
OIL OUTLET VALVE O-RING		372200-04
1/2\"/>		

REVISION HISTORY				
REV	DESCRIPTION	DATE	DRWBY	APPVBY
07	UPDATED ACCESSORY/SPARE PARTS TABLE	09/04/2025	AHB	AHB
06	UPDATED HEATER WELL PART NUMBERS	07/21/2023	EGL	AHB
05	UPDATE SIGHTGLASS, MOVED NOZZLE LOC.	11/22/2019	AC	AC
04	SKIRT REPLACED WITH STANDARD	10/24/2019	FB	FB
03	MOVE AND LABEL VIEWS	01/06/2017	DE	DE
02	UPDATED DIMENSION	05/24/2017	CT	CT

UNLESS OTHERWISE SPECIFIED  
DIM ARE IN INCHES  
ANGLE TOL ± 2°30'  
FRACTION TOL ± 1/4  
.X ± .125 .XX ± .063 .XXX ± .005  
ASME Y14.5M-1994

PROPRIETARY AND CONFIDENTIAL  
THE INFORMATION CONTAINED  
IN THIS DRAWING IS THE SOLE  
PROPERTY OF BITZER. ANY  
REPRODUCTION IN PART OR AS  
WHOLE WITHOUT THE WRITTEN  
PERMISSION OF BITZER IS  
PROHIBITED.

BITZER U.S. Inc.  
4080 ENTERPRISE WAY  
FLOWERY BRANCH, GA 30542

**BITZER**

TITLE  
**SUBMITTAL DRAWING**

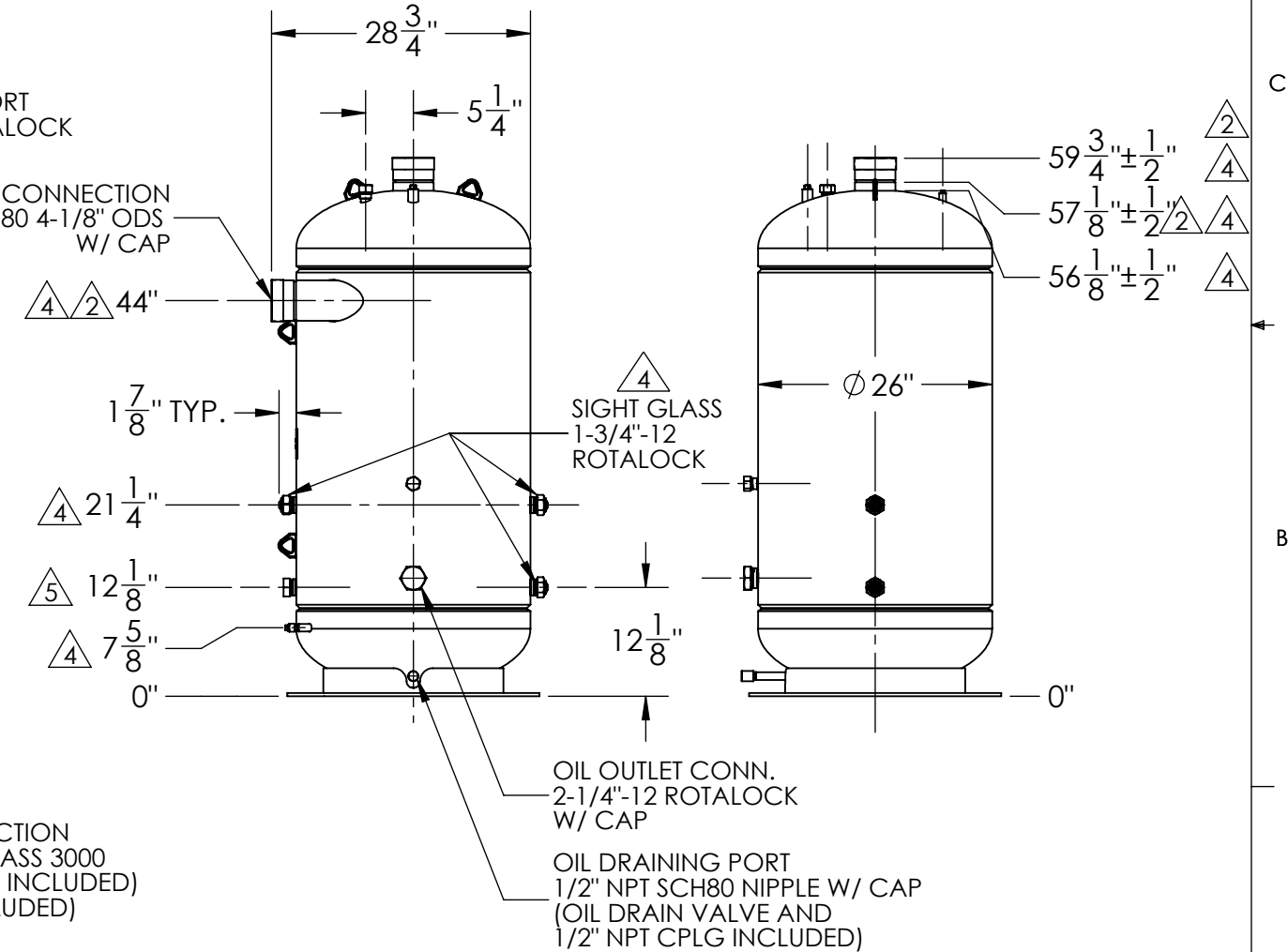
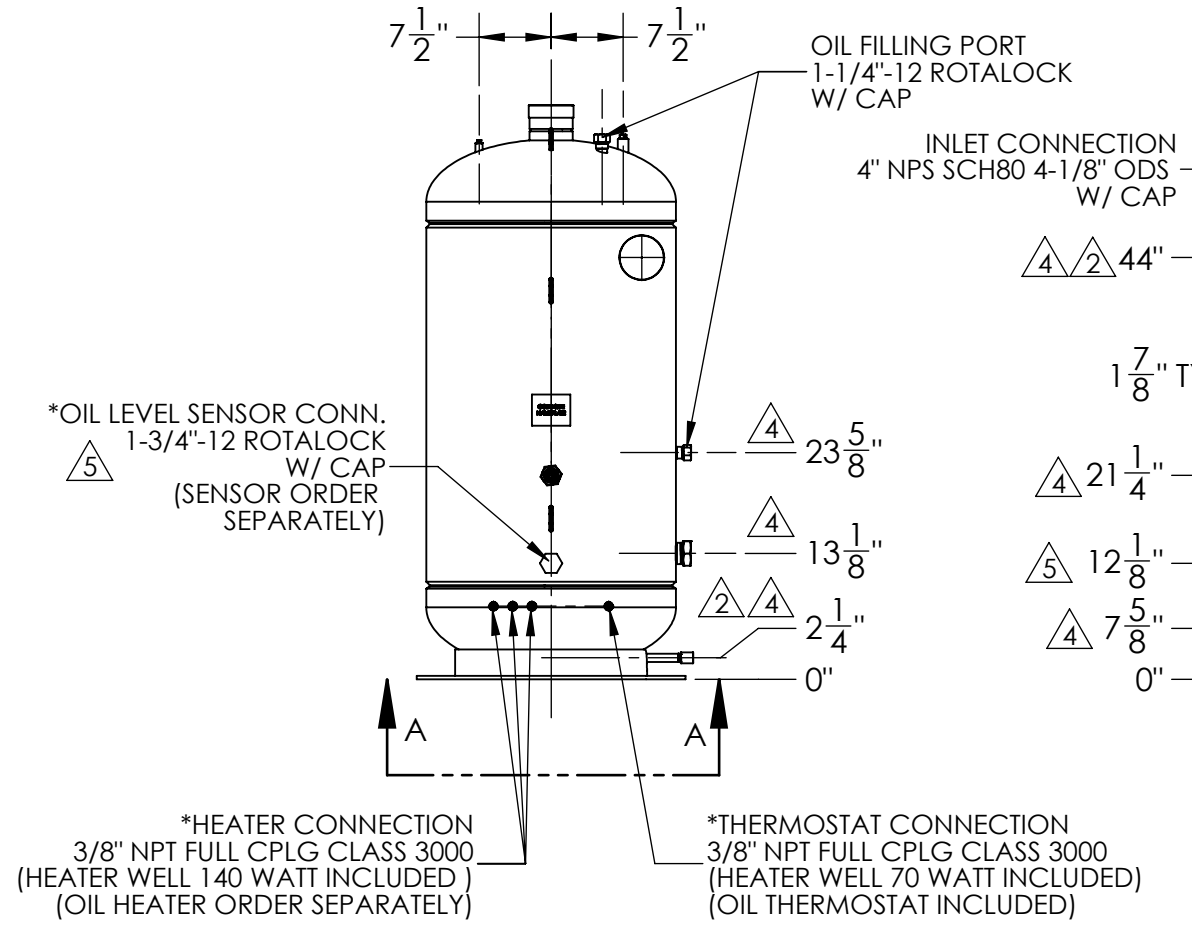
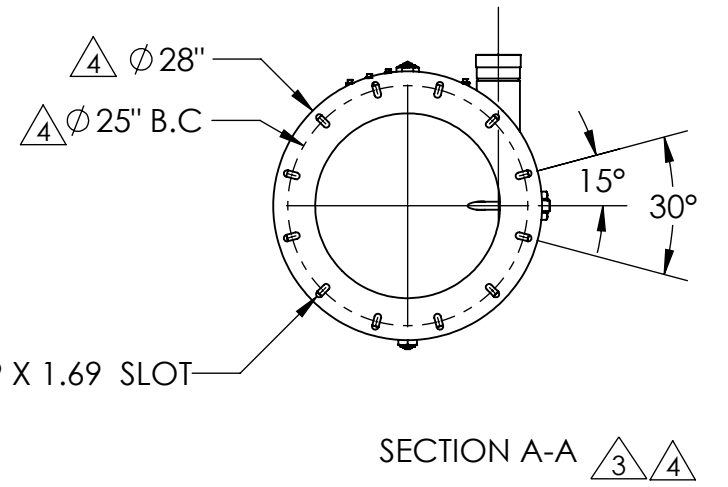
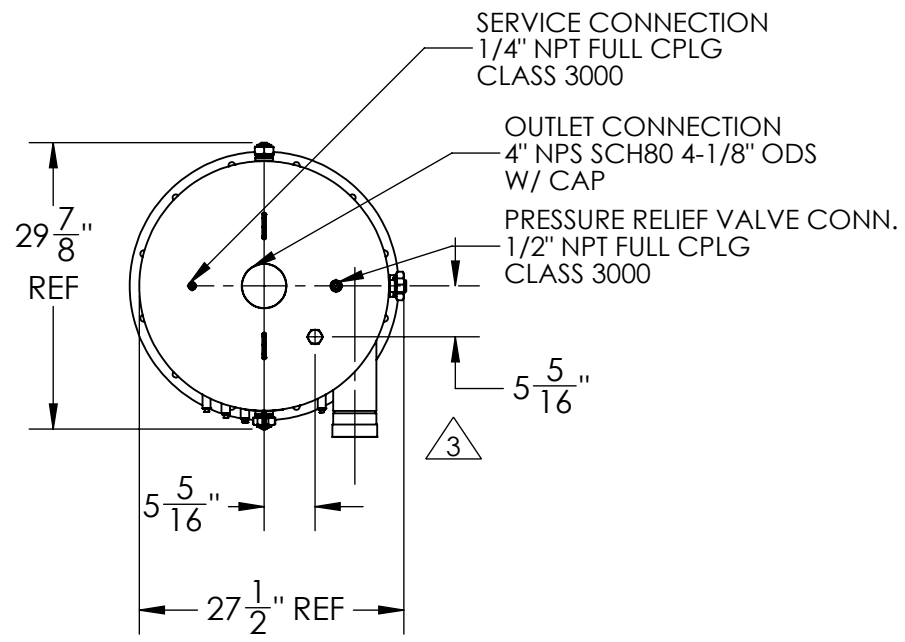
SIZE <b>B</b>	JOB# Vessels	Pressure OA9111US (771-0005-01)	DWG NO 07	REV 07
DRAWN FHO	DATE 11/18/2013	SCALE 1:16	WEIGHT 511.38LBS	SHEET 1 OF 1

Approval: \_\_\_\_\_  
Customer Signature Required Upon Order

Customer Company Name: \_\_\_\_\_

1. Shell Side:
- Max. Allowable Work Pressure: 450psi @ 250F
  - Min. Design Metal Temp.: -20F @ 450psi
  - Capacity: 14.33 ft3
  - Corrosion Allowance: 0
  - Vessel Stamp: U

2. Manufacture vessel in accordance with ASME BPVC.VIII.1 (Latest Version)
3. Pressure boundary parts are carbon steel.
4. All connections will be shipped with welded caps and plugs.
5. Vessel will be painted black.
6. Customer must remove all welded caps prior to pressurizing system.
7. Vessel not constructed or stamped for "lethal" service.
8. Vessel has hot formed or stress relieved heads in compliance with ANSI/IIAR 2. (Not applicable if primary fluid is oil).
9. For custom vessels, (customer provided internal design elements), BITZER U.S., Inc is not responsible for the performance with respect to heat exchange, droplet separation, or other function outside the scope of meeting the ASME BPVC.VIII.1.



(*) ACCESSORY - ORDER SEPARATELY	ACCESSORY P/N
OIL LEVEL SWITCH - 24V, AC/DC OPTION	347950-04
OIL LEVEL SWITCH - 115V OPTION	347950-02
OIL LEVEL SWITCH - 230V OPTION	347950-01
OIL HEATER - 120V, 140W OPTION	892-1140-01
OIL HEATER - 230V, 140W OPTION	892-1140-02
ROTALOCK T-ADAPTER	365433-56
SPARE PARTS	SPARE PARTS P/N
HEATER WELL - 70W	345906-05
HEATER WELL - 140W	345905-22
O-RING - HEATER WELL (70W & 140W)	372016-01
SET SCREW (140W HEATER WELL ONLY)	380354-08
OIL THERMOSTAT	860-5021-01
OIL DRAIN VALVE	540106050
OIL OUTLET VALVE	361321-12
OIL OUTLET VALVE - O-RING	37220-06
1/2" NPT FULL COUPLING	P000001977
SIGHT GLASS	182102200
SIGHT GLASS NUT	182102015
O-RING - SIGHT GLASS ROTALOCK SEAL	372200-04

REVISION HISTORY				
REV	DESCRIPTION	DATE	DRWBY	APPVBY
05	REVISE AND ADD ITEMS ON ACCESSORIES TABLE	09/05/2025	AHB	AHB
04	UPDATE SKIRT. UPDATE SIGHT GLASS TO 1-3/4"	02/07/2020	AC	AC
03	MOVE AND LABEL VIEWS	06/01/2017	DE	DE
02	UPDATED DIMENSIONS	05/24/2017	CT	CT
01	UPDATED FORMAT AND NOTES	09/18/2014	QKT	QKT
00	INITIAL RELEASE	08/19/2014	MMN	MMN

UNLESS OTHERWISE SPECIFIED  
DIM ARE IN INCHES  
ANGLE TOL ± 2°30'  
FRACTION TOL ± 1/4  
.X ± .125 .XX ± .063 .XXX ± .005  
ASME Y14.5M-1994

THIRD ANGLE PROJECTION

PROPRIETARY AND CONFIDENTIAL  
THE INFORMATION CONTAINED  
IN THIS DRAWING IS THE SOLE  
PROPERTY OF BITZER. ANY  
REPRODUCTION IN PART OR AS  
WHOLE WITHOUT THE WRITTEN  
PERMISSION OF BITZER IS  
PROHIBITED.

BITZER U.S. Inc.  
4080 ENTERPRISE WAY  
FLOWERY BRANCH, GA 30542

TITLE  
**SUBMITTAL DRAWING**

SIZE B JOB# Pressure Vessels DWG NO OA14111US (771-0006-01) REV 05

SCALE 1:20 WEIGHT 673.58LBS SHEET 1 OF 1

Approval: \_\_\_\_\_  
Customer Signature Required Upon Order

Customer Company Name: \_\_\_\_\_

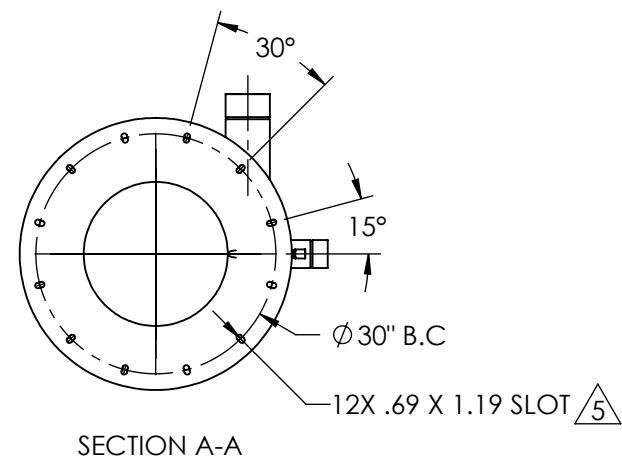
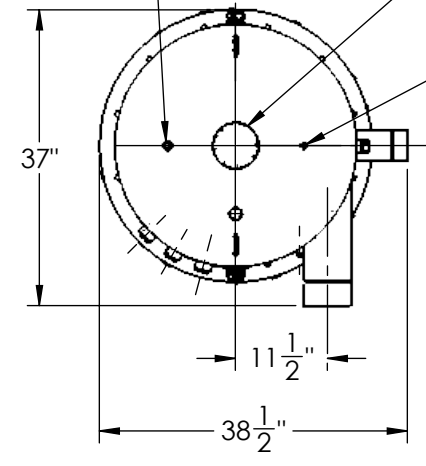
1. Shell Side:
- Max. Allowable Work Pressure: 450psi @ 250F
  - Min. Design Metal Temp.: -20F @ 450psi
  - Capacity: 22.45 ft3
  - Corrosion Allowance: 0
  - Vessel Stamp: U

2. Manufacture vessel in accordance with ASME BPVC.VIII.1 (Latest Version)
3. Pressure boundary parts are carbon steel.
4. All connections will be shipped with welded caps and plugs.
5. Vessel will be painted black.
6. Customer must remove all welded caps prior to pressurizing system.
7. Vessel not constructed or stamped for "lethal" service.
8. Vessel has hot formed or stress relieved heads in compliance with ANSI/IIAR 2. (Not applicable if primary fluid is oil).
9. For custom vessels, (customer provided internal design elements), BITZER U.S., Inc is not responsible for the performance with respect to heat exchange, droplet separation, or other function outside the scope of meeting the ASME BPVC.VIII.1.

PRESSURE RELIEF VALVE CONN.  
1/2" NPT FULL CPLG  
CLASS 3000

OUTLET CONNECTION  
5" NPS SCH80 5-1/8" ODS  
W/ CAP

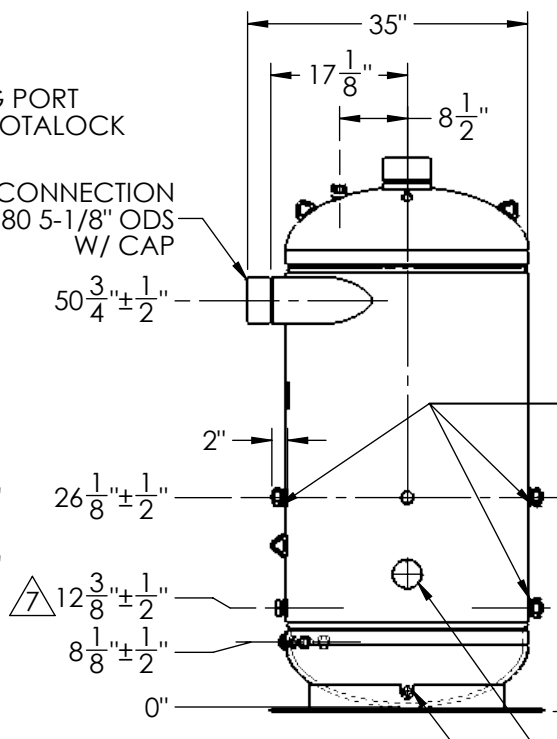
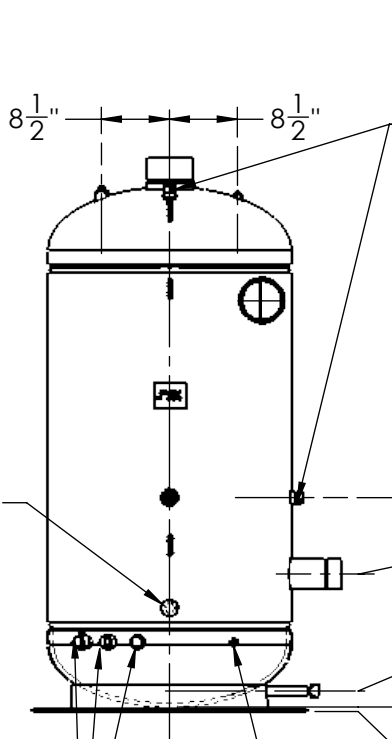
SERVICE CONNECTION  
1/4" NPT FULL CPLG  
CLASS 3000



\*OIL LEVEL SENSOR CONN.  
1-3/4"-12 ROTALOCK  
W/ CAP  
(SENSOR ORDER SEPARATELY)

OIL FILLING PORT  
1-1/4"-12 ROTALOCK  
W/ CAP

INLET CONNECTION  
5" NPS SCH80 5-1/8" ODS  
W/ CAP



SIGHT GLASS  
1-3/4"-12  
ROTALOCK

OIL OUTLET CONN.  
3" NPS SCH80 3-1/8" ODS

OIL DRAINING PORT  
1/2" NPT SCH80 NIPPLE W/ CAP  
(OIL DRAIN VALVE AND  
1/2" NPT CPLG INCLUDED)

\*HEATER CONNECTION  
1-1/8"-18 UNEF CPLG  
(HEATER WELL 200 WATT INCLUDED)  
(OIL HEATER ORDER SEPARATELY)

\*THERMOSTAT CONNECTION  
3/8" NPT FULL CPLG CLASS 3000  
(HEATER WELL 70 WATT INCLUDED)  
(OIL THERMOSTAT INCLUDED)

(*) ACCESSORY - ORDER SEPARATELY	ACCESSORY P/N
OIL LEVEL SWITCH - 24V, AC/DC OPTION	347950-04
OIL LEVEL SWITCH - 115V OPTION	347950-02
OIL LEVEL SWITCH - 230V OPTION	347950-01
OIL HEATER - 120V, 200W OPTION	343213-08
OIL HEATER - 230V, 200W OPTION	343213-07
ROTALOCK T-ADAPTER	365433-56
SPARE PARTS	SPARE PARTS P/N
HEATER WELL - 70W	345906-05
HEATER WELL - 200W	345905-05
OIL THERMOSTAT	860-5021-01
OIL DRAIN VALVE	540106050
1/2" NPT FULL COUPLING	P000001977
SIGHT GLASS	182102200
SIGHT GLASS NUT	182102015
O-RING - SIGHT GLASS ROTALOCK SEAL	372200-04

REVISION HISTORY				
REV	DESCRIPTION	DATE	DRWBY	APPVBY
07	UPDATE DESCRIPTION; CHANGE SPARE PARTS QTY.	09/08/2025	AHB	AHB
06	UPDATE SIGHTGLASS	01/20/2020	AC	AC
05	UPDATE VESSEL HEIGHT & SKIRT	08/28/2019	AC	AC
04	TOTAL HEIGHT OF VESSEL REDUCED	05/23/2017	FB	FB
03	ADJUSTED SHELL LENGTH	04/25/2017	CT	CT
02	CORRECT NOZZLES' LOCATION	08/24/2015	AC	AC

UNLESS OTHERWISE SPECIFIED  
DIM ARE IN INCHES  
ANGLE TOL ± 2° 30'  
FRACTION TOL ± 1/4  
.X ± .125 .XX ± .063 .XXX ± .005  
ASME Y14.5M-1994

THIRD ANGLE PROJECTION

PROPRIETARY AND CONFIDENTIAL  
THE INFORMATION CONTAINED  
IN THIS DRAWING IS THE SOLE  
PROPERTY OF BITZER. ANY  
REPRODUCTION IN PART OR AS  
WHOLE WITHOUT THE WRITTEN  
PERMISSION OF BITZER IS  
PROHIBITED.

BITZER U.S. Inc.  
4080 ENTERPRISE WAY  
FLOWERY BRANCH, GA 30542

**BITZER**

TITLE  
**SUBMITTAL DRAWING**

SIZE <b>B</b>	JOB# Vessels	Pressure OA25112US (771-0007-01)	DWG NO 771-0007-01	REV <b>07</b>
SCALE 1:24	WEIGHT 1236.15LBS	SHEET 1 OF 1		