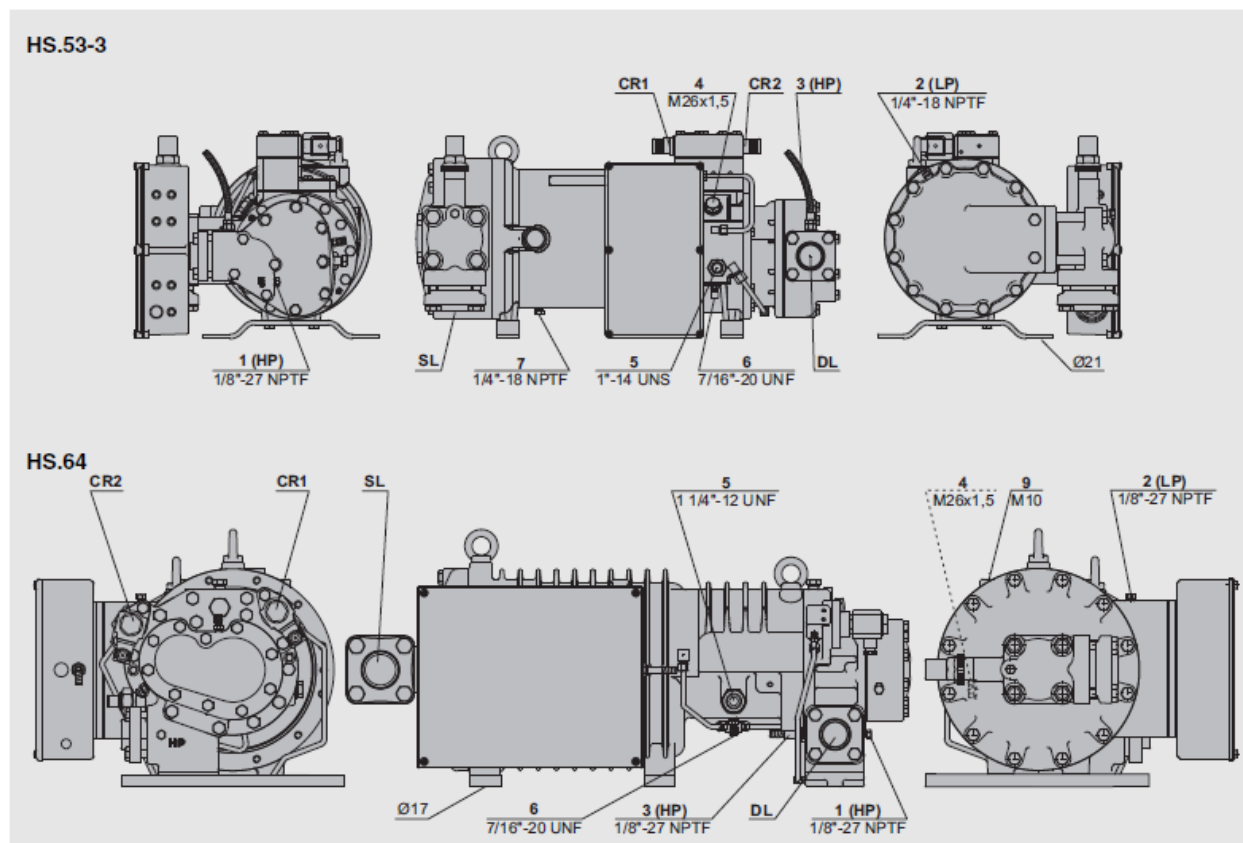


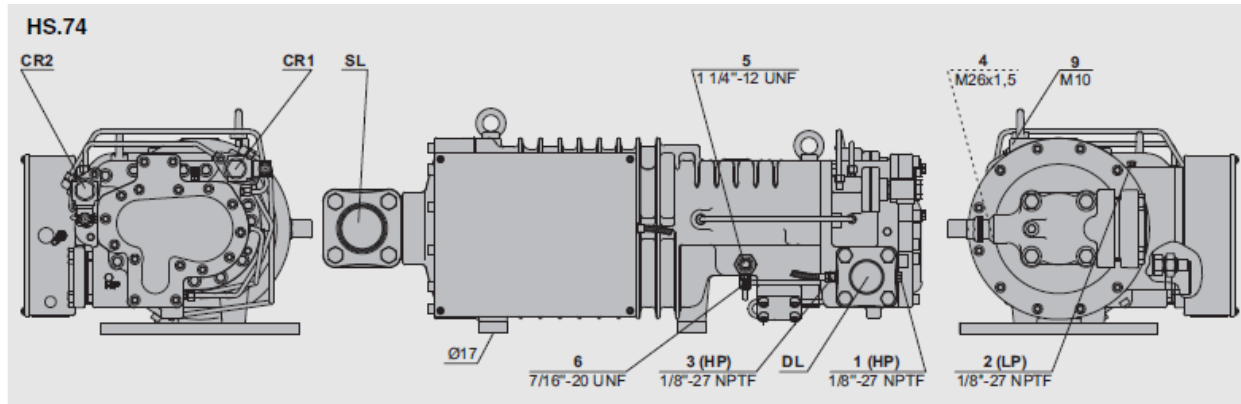


Service Bulletin Tech Tip (SG-0013) Version 1, July 2016

BITZER Refrigeration Screw Compressor Oil Draining Guidelines

- The scope of this service bulletin is to provide information for draining oil from the HS series screw compressors.
- If a compressor accidentally becomes flooded with oil, it must be drained without exception.
- The compressor must be isolated with the service valves closed (suction, discharge, eco and/or liquid injection inlet, oil inlet isolation valve) and all power should be off.
- There are two locations where the oil can be drained from the compressor.
- The oil inlet to the compressor can be loosened by the roto-lock nut, identified as item 5.
- There is a schrader valve located under the compressor near the oil inlet. Identified as item 6 on the drawings.
- HS53 series also has a motor housing drain plug. Identified as item 7.
- Shown for reference are the following connections described above for each frame size compressor, HS53, 64 and 74.
- Caution: the compressor will be under pressure.

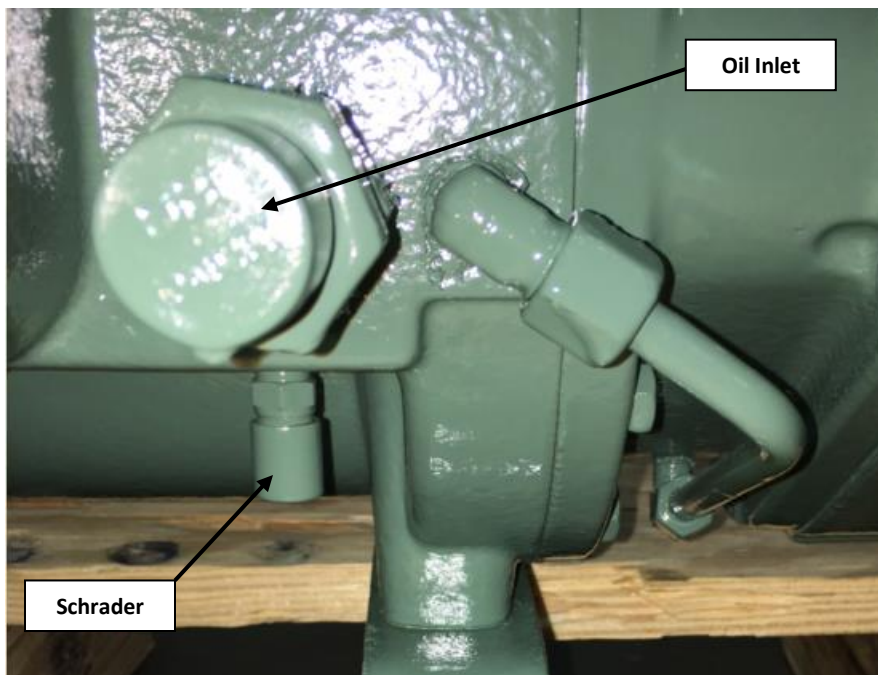




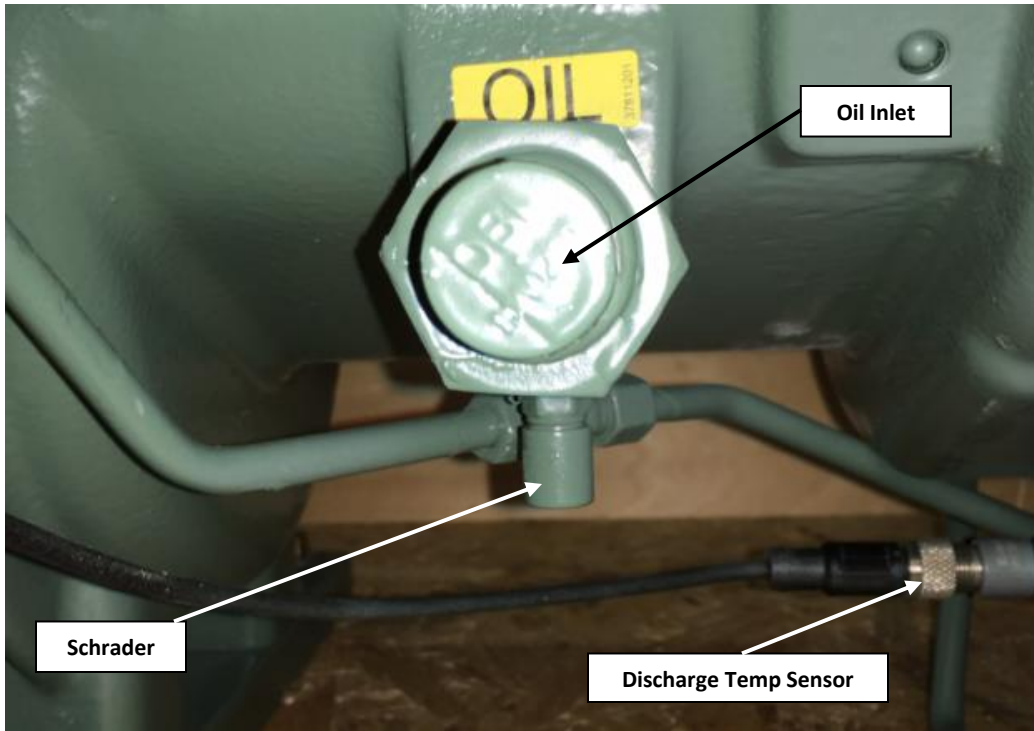
Connection positions

- 1 High pressure connection (HP)
- 2 Low pressure connection (LP)
- 3 Discharge gas temperature sensor (HP)
- 4 Economiser / liquid injection
- 5 Oil injection
- 6 Oil pressure
- 7 Oil drain plug (motor housing)
- 8 -
- 9 Screw for pipe support (ECO and LI line)

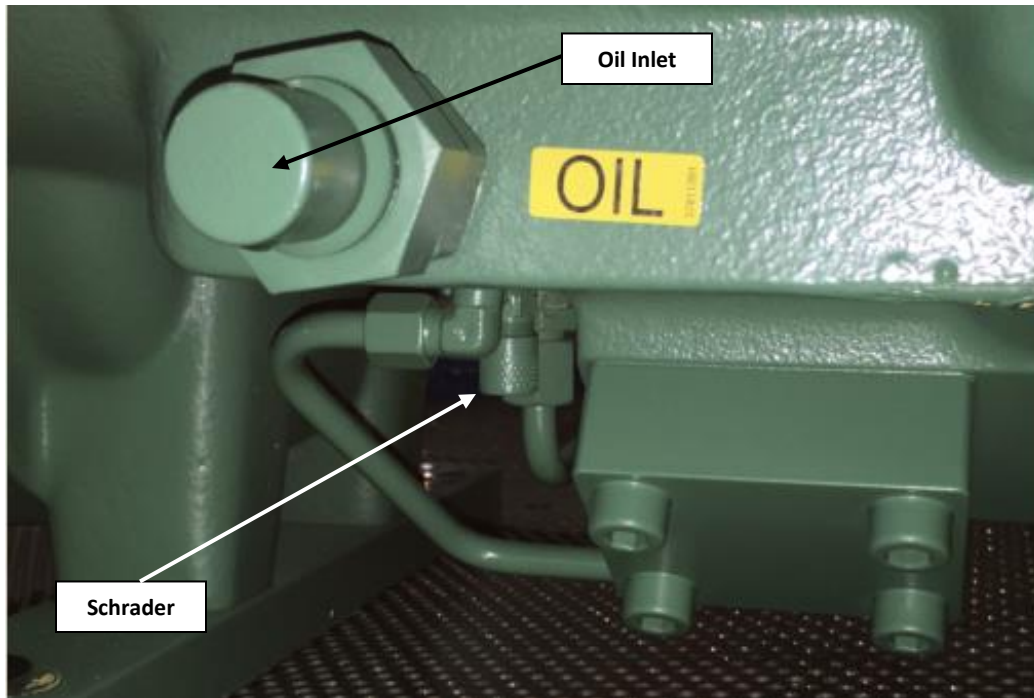
HS53



HS64



HS74



NOTES:

BITZER U.S.:
BITZER Canada:
BITZER Mexico:

Main Phone:
770-503-9226
514-697-3363
+52 (81)1522 4500

Web:
www.bitzerus.com
www.bitzer.ca
www.bitzermexico.com

Email:
sales@bitzerus.com
sales@bitzer.ca
ventas@bitzermexico.com

Additional BITZER U.S. Contact Info:
techsupport@bitzerus.com
customerservice@bitzerus.com
24 Hour Quickship Hotline: (888) 462-4893