



Maintenance Bulletin (MB-0057)

Rev 1; November 3, 2025

Vertical Oil Separator Level Sensor Connection Change

BITZER US has changed the oil level sensor connect for vertical oil separators. The connection prior to the change was a ½” NPT connection, see Figure 1 below.

This connection has been updated to use a 1-3/4”-12 RTL connection, see Figure 2 below. The new connection accommodates the AWA OLC-D1 oil level sensor.

The table below documents the last serial number that uses the old level sensor connection, ½” NPT coupling. This document must be updated in November 2025 to account for the remaining open shop floors for OA9111US and OA4188US.

Oil Separator Kit Item Number	Vessel Item Number	Last Serial Number Henry Oil Sensor Connection (Date)
OA1954US	771-0003-01	8408232647 (06/03/2025)
OA14111US	771-0006-01	8408232358 (05/12/2025)
OA1954US-NH3	771-0003-03	8408232178 (03/10/2025)
OA4188US-450	771-0004-02	8404626126 (06/08/2023)
OA25112US	771-0007-01	8408232530 (05/14/2025)
OA9111US	771-0005-01	8408232744 (08/19/2025)
OA4188US	771-0004-01	8409002087 (10/24/2025)

Level Sensor Spare Parts Based on Connection Type		
Level Sensor	½” NPT	1-3/4”-12 RTL
115 V	791-9906-15	347950-02
230 V	791-9906-23	347950-01
24V (AC/DC)	NA	347950-04

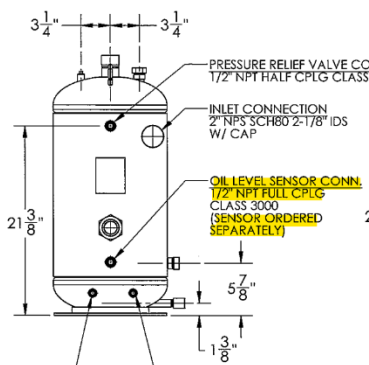


Figure 1: 1/2”NPT Level Sensor Conn. (uses sensor 791-9906-01 or 791-9906-23)

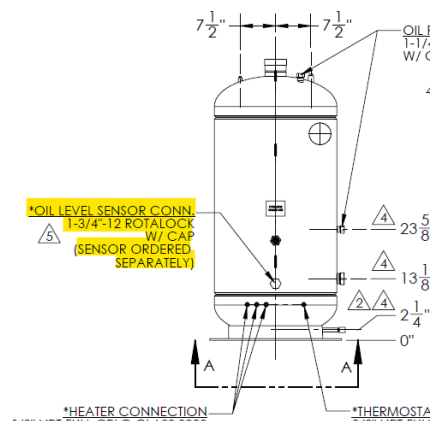


Figure 2: 1-3/4”-12 RTL Level Sensor Conn. (use sensor 347950-02, 347950-01, or 347950-04)