



BITZER US Mounting Rails for CS Screw Compressors

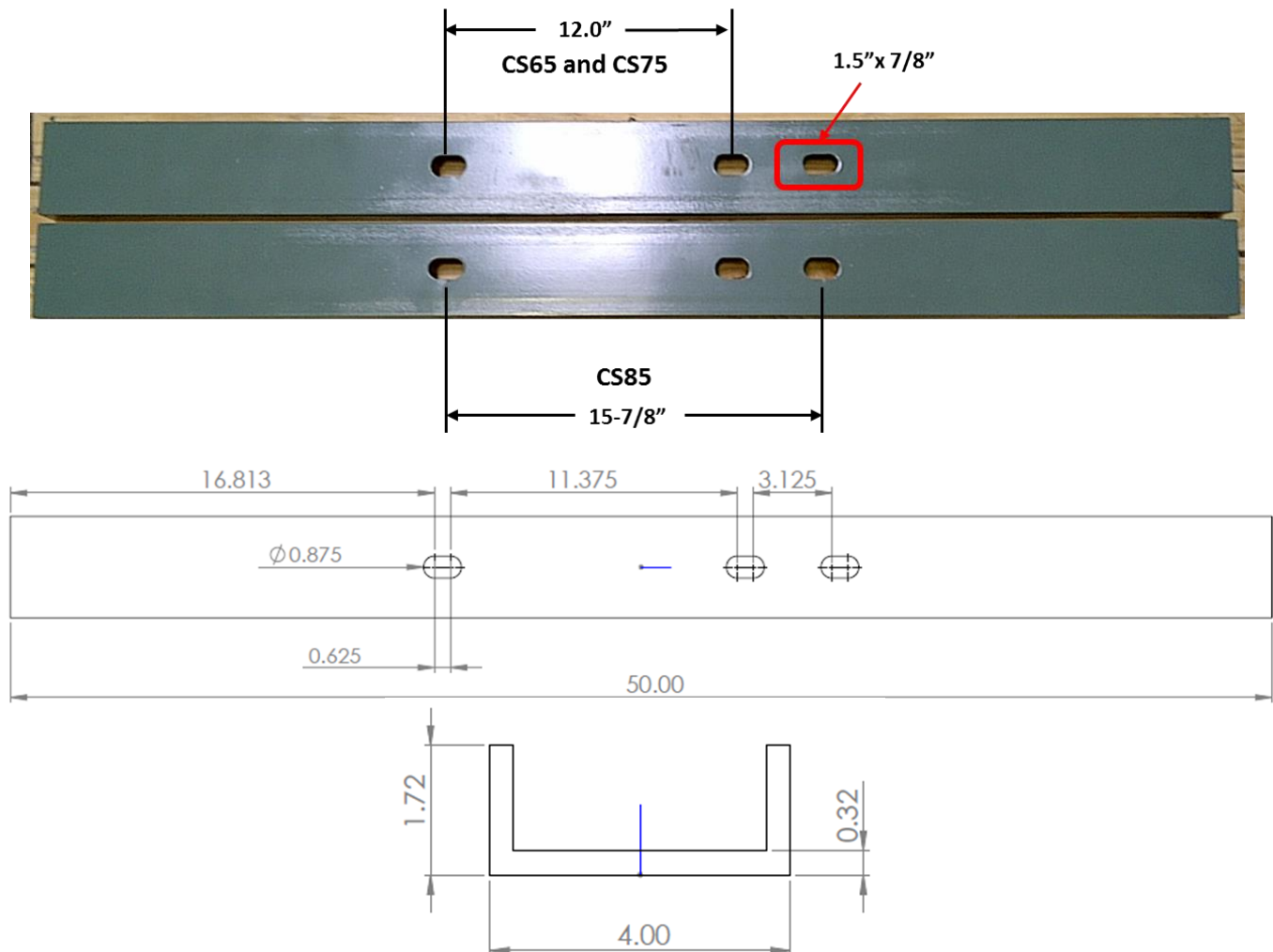
BITZER US now offers screw compressor mounting rails for aftermarket or competitive replacement installations into existing OEM or aftermarket frames.

One set of rails have been developed for use on the CS65-75 and 85 frame screw compressors.

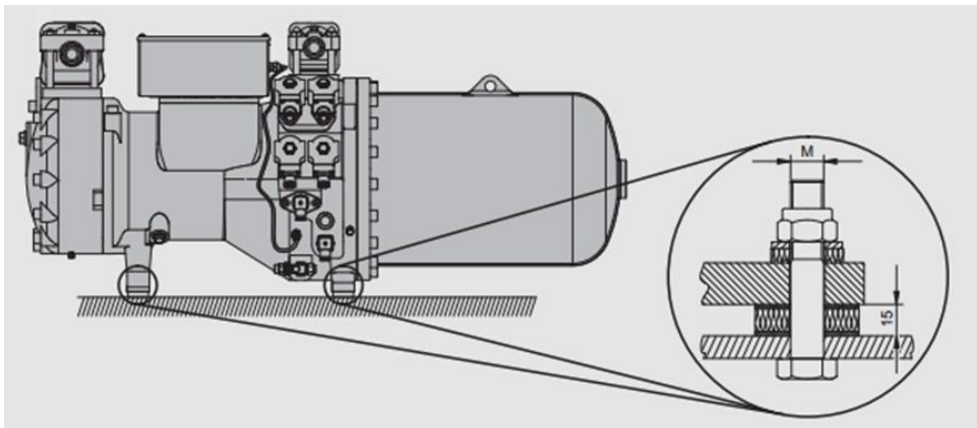
The rails are “pre-drilled” for easy mounting of the BITZER screw. The rails are long to allow easy access for drilling to mount to the original frame without having to remove the screw compressor.

BITZER US part numbers for the rails is 999-0016-01 which includes (2) mounting rails. The rails are made from C4 channel and the dimensions are 4” wide x 1.72” high x 50” long and are painted BITZER Green.

Shown below is the basic overall view of the rails:



The recommended bolt sizes used with the vibration dampers (recommended) are shown below:



Recommended Mounting

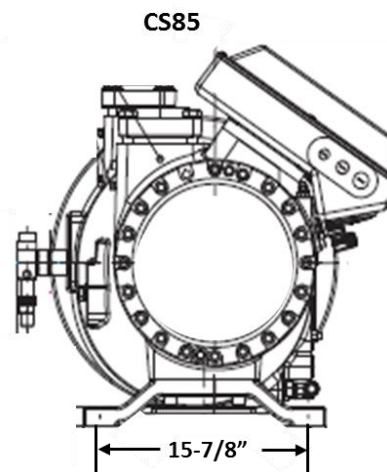
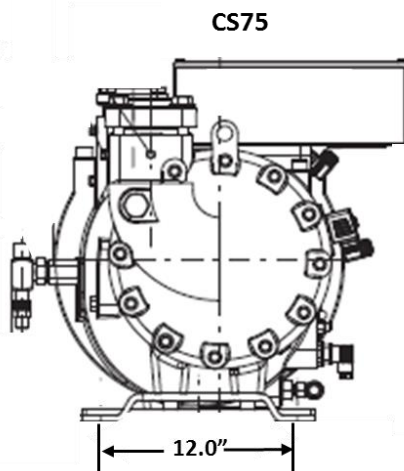
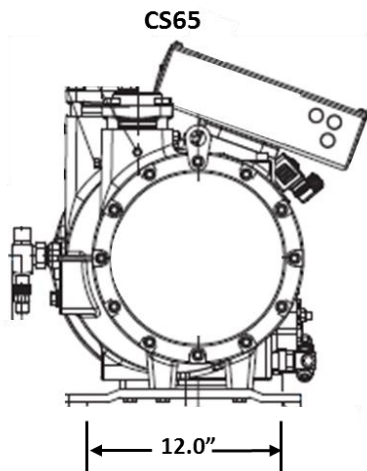
Bolt Sizes:

CS65 = 3/8"

CS75 = 5/8"

CS85 = 5/8"

Shown below are the overall end views of the CS65-75 and 85 compressors with the center to center width of the mounting dimensions:



Installation of CS85 Shown



Please contact BITZER Customer Service for ordering information or contact customerservice@bitzerus.com. For technical support, please contact techsupport@bitzerus.com.